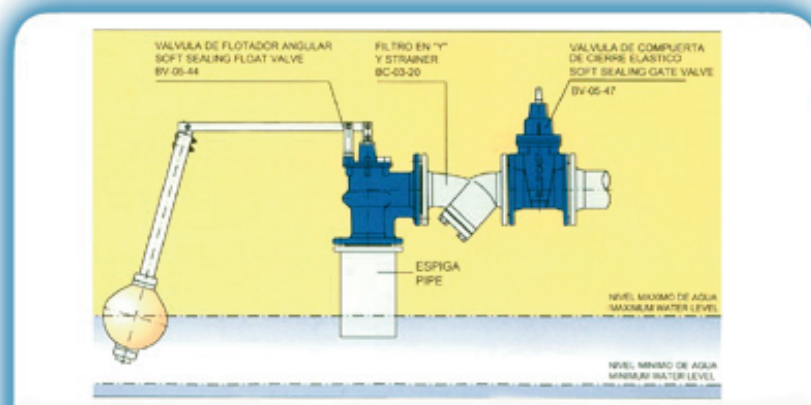


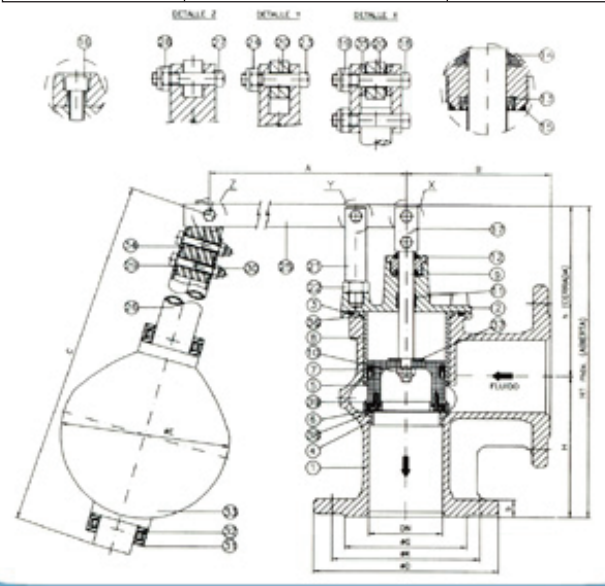
Equilibrium Ball Float Valve



NUMBER	NAME	MATERIAL
1,2	Body & Bonnet	GGG-50
7, 13-15,36	Packing Wedge, Stuffing Nut, Dust Guard	NBR
4,9	Wedge Gland, Stern	Bronze Rg.5
17,25	Billet Join, Lever	Steel F-112
3,6	Body Bonnet Gasket Wedge Gasket	EPDM or MBR
33	Float	PVC
5,12	Wedge / Stuffing Nut	POM
8	Jig Bushing	Bronze Reg.5
21,31	Hinge Pin, Float Fastening Piece	X20 Cr13
11	Guide Band	PTFE 561/25
10,18,19,22-24,27-30,32,35,37,39	Bolts	X5 CrNi 18 10
16	Body Bonnet Bit	500
20	"Du" Gland	PTFE / Lead
26	Tube	X2 CrNi 19 10
34	Float Junction Piece	X5 CrNi 18 9
38	Fixing Collar	Brass



Our valves are balanced by means of a piston. Float manufactured in PVC. Belgicast recommends to install a filter before the float valve so that foreign bodies cannot enter. It is also recommended to place a soft sealing gate valve before the filter in order to clean it.



Soft Sealing Float Valve

DN	ISO 2531 PN-10					ISO 2531 PN-16					A	B	C	OE	H	H1	h
	D	G	K	b	nOxd	D	G	K	b	nOxd							
50	165	99	125	19	4x19	165	99	125	19	4x19	378	128	1000	400	103	334	163
80	200	132	160	19	8x19	200	132	160	19	8x19	550	157	1500	400	117	373	189
100	220	156	180	19	8x19	220	156	180	19	8x19	598	178	1500	400	178	430	226
150	285	211	240	19	8x23	285	211	240	19	8x23	770	227	1500	490	237	550	258
200	340	211	295	20	8x23	340	211	295	20	12x23	873	278	1500	490	278	617.5	293

Windmill View,
Blackchurch,
Rathcoole,
Co. Dublin.
Ph. +353 (0)1 257 0388
Fax. +353 (0)1 257 0389
Email. sales@proflo.ie