

Ductile Iron Y-Strainer, Flanged Ends

Working Pressure: PN16

Shell test pressure: 16 Bar

Seat test pressure: 10 Bar

Working temperature: 0.6°C - 52°C

Media: Water

Coating: Blue Epoxy Coated

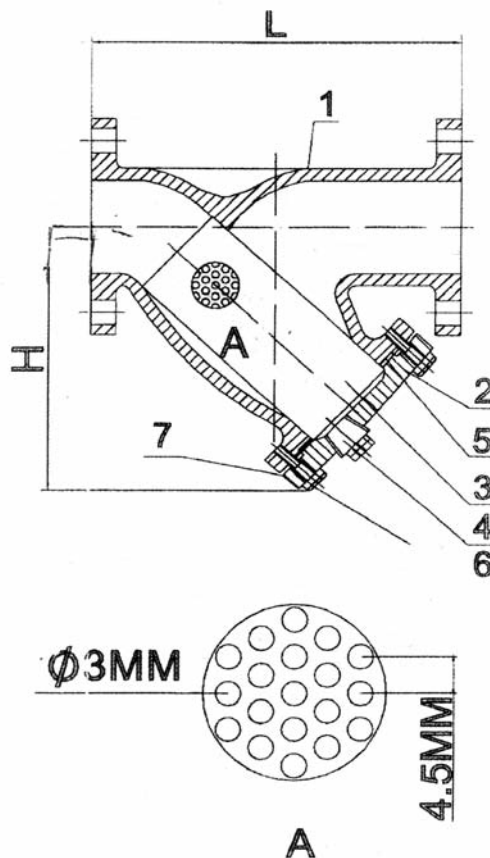
Dimensions(mm) and weight:

Nominal Size		L	H
DN(mm)	Inch		
50	2"	225	152
80	3"	292	222
100	4"	352	241
150	6"	470	320
200	8"	543	416
250	10"	660	483
300	12"	762	558
350	14"	949	795

Material for main parts:

No	Part	Material
1	Body	Ductile Iron
2	Cover	Ductile Iron
3	Screen	Stainless Steel
4	Drain Plug	Malleable Iron
5	Gasket	NBR/EPDM/Graphite
6	Bolts	Zinc Plated Steel
7	Nuts	Zinc Plated Steel

For special requirements of material please consult



Windmill View,
Blackchurch,
Rathcoole,
Co. Dublin.

Ph. +353 (0)1 257 0388

Fax. +353 (0)1 257 0389

Email. sales@proflo.ie