

Check Valve / Non Return Valve - Ball Type

DESCRIPTION

- Threaded Ends - Female BSP
- Sizes: 1 1/4" to 2" BSP
- Working Pressure from 0.2 to 10 Bar

CHARACTERISTICS

- Ball check valve designed for impulsion with residual water or sludge.
- No possible obstruction - Full bore.
- Allows installation in horizontal or vertical position.
- Due to the flow pressure drop, the ball check valves can be used in clean water.
- Temperature from -10°C up to +80°C
- Easy maintenance
- With bonnet for possible ball exchange.



FUNCTION

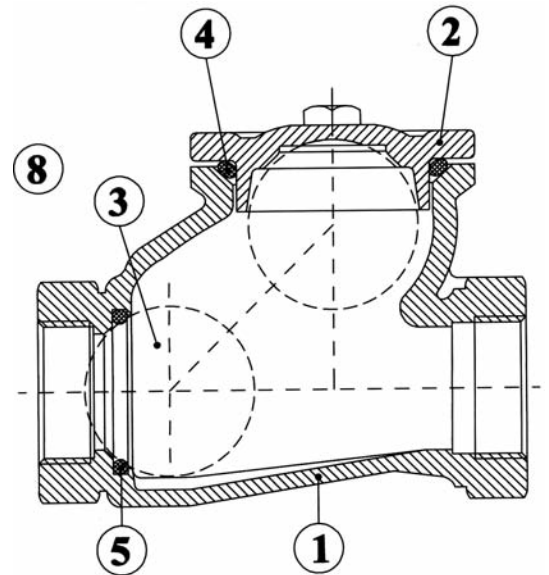
- Consist of a ball that is pushed in the side chamber by impulsion of the fluid, which allows the fluid to pass without an obstacle in between.
- When the pump stops and the ball is no longer pushed by the fluid, the ball will return to the seat, blocking the passage of the fluid.

STANDARD CONSTRUCTION MATERIALS

- Body and Bonnet: GGG-40
- Ball: Phenolic Resin
- Bolting: Stainless Steel

Material for main parts:

No	Part	Qty	Material
1	Body	1	Ductile Iron
2	Disc Coating	1	Rubber (EPDM)
3	Disc	1	Ductile Cast Iron
4	Stud	1	Zinc Plated Steel
5	Washer	1	Zinc Plated Steel



Plan view

Windmill View,
Blackchurch,
Rathcoole,
Co. Dublin.

Ph. +353 (0)1 257 0388
Fax. +353 (0)1 257 0389
Email. sales@proflo.ie

